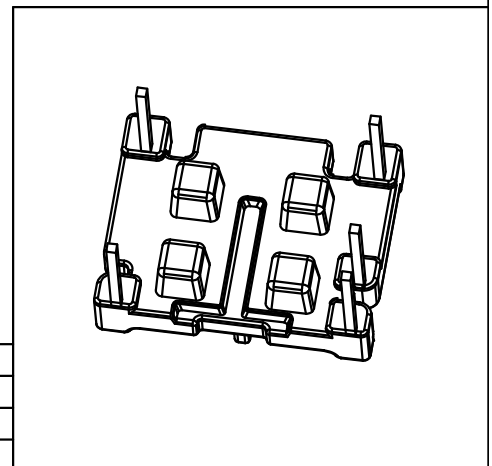
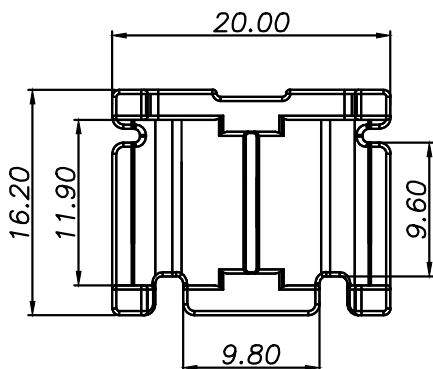
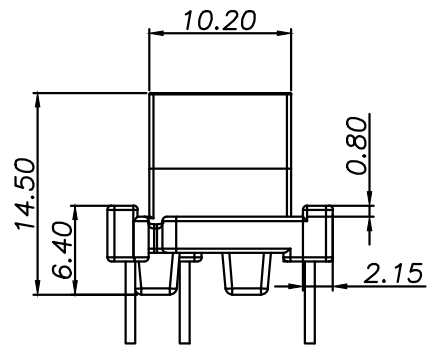
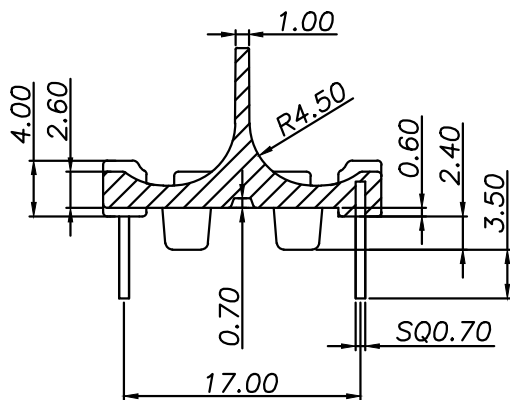


# SECTION A-A



3.						
2.						
1.						
REVISION NOTE						

DRAWN	CHECKED	APPROVED	MATERIAL: PHENOL	UL REC.: UL94V-0	SCALE: 1/1	
			X=PIN LENGHT	DATE: 2018.09.30	TOLERANCE: +/-0.2	

	威海宁威塑胶制品有限公司			TITLE: SQ16*14 5P (样品)	DWG NO
	TEL:0631-5781578	FAX:0631-5780578			SQ-071012-001