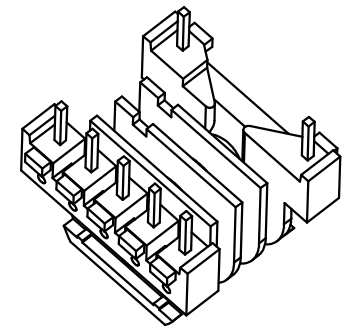
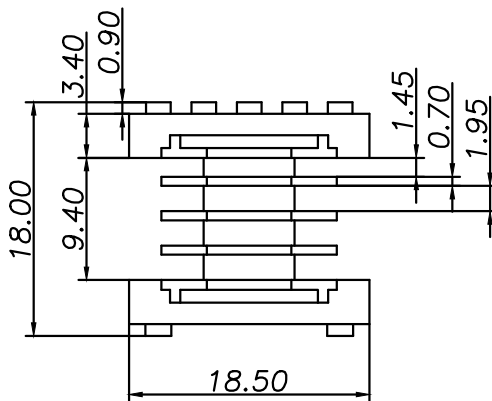
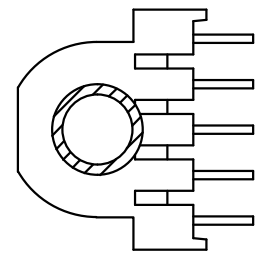
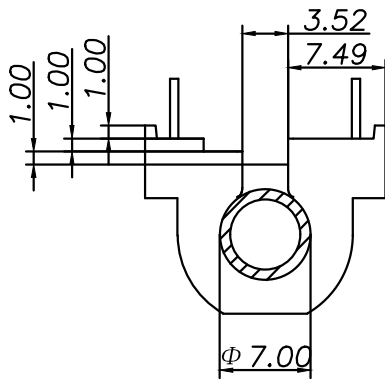


SECTION A-A

SECTION B-B



3.						
2.						
1.						

REVISION NOTE

DRAWN	CHECKED	APPROVED	MATERIAL: PET	UL REC.: UL94V-0	SCALE: 1/1	 UNIT: m/m
			X=PIN LENGHT	DATE: 2018.04.25	TOLERANCE: +/-0.2	