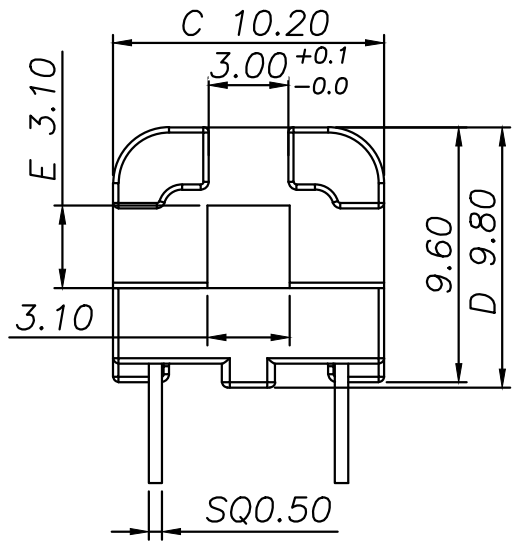
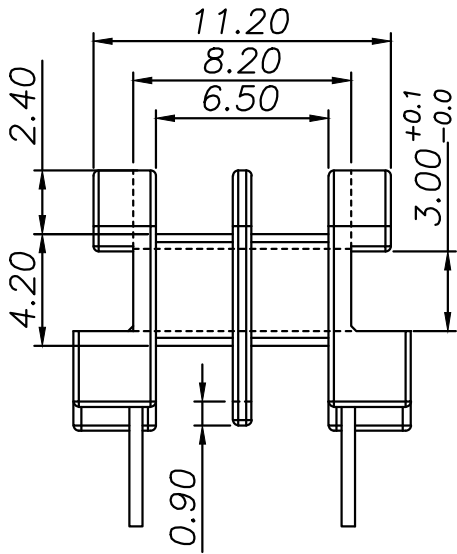
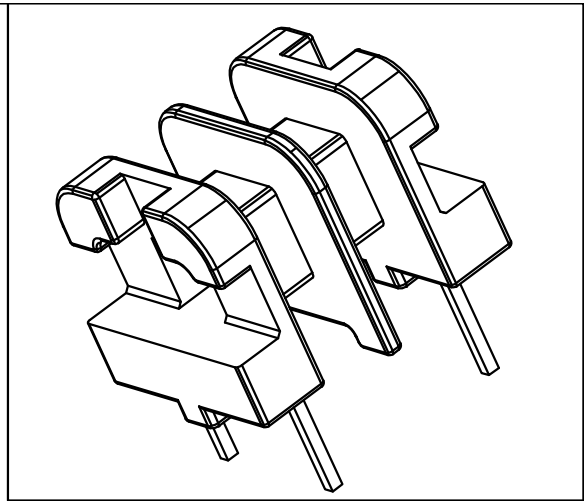
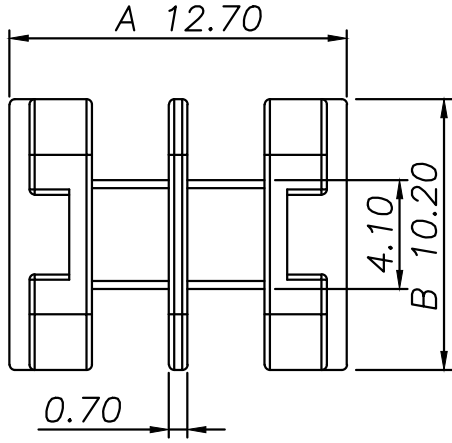
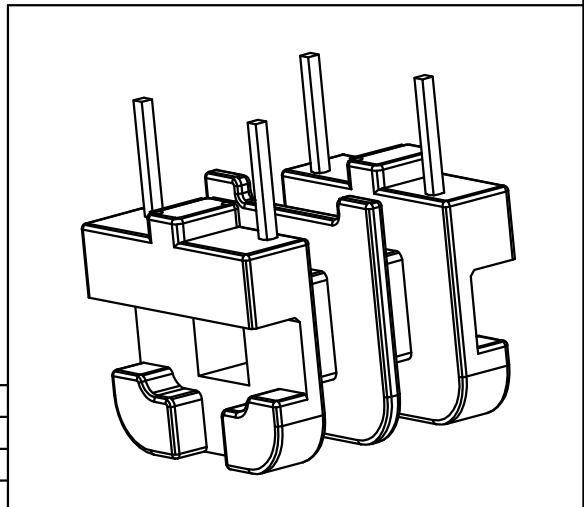
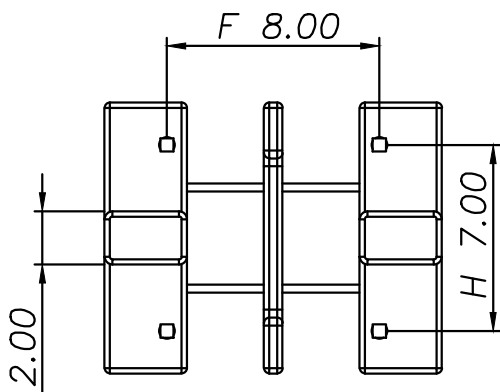


Autodesk



Autodesk



3.						
2.						
1.						
REVISION NOTE						
DRAWN	CHECKED	APPROVED	MATERIAL: PHENOL	UL REC. : UL94V-0	SCALE: 1/1	⊕ ⊞
			X=PIN LENGHT	2017.10.19	TOLERANCE: +/-0.2	UNIT:m/m
威海宁威塑胶制品有限公司 TEL:0631-5781578 FAX:0631-5780578				TITLE: UU10*14H 4P C Autodesk		DWG NO UU-071012-027

Autodesk