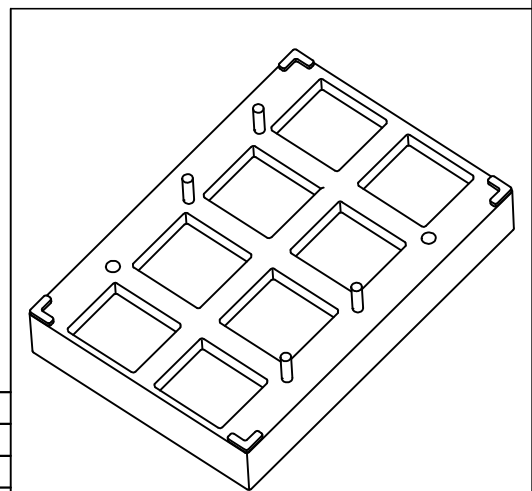
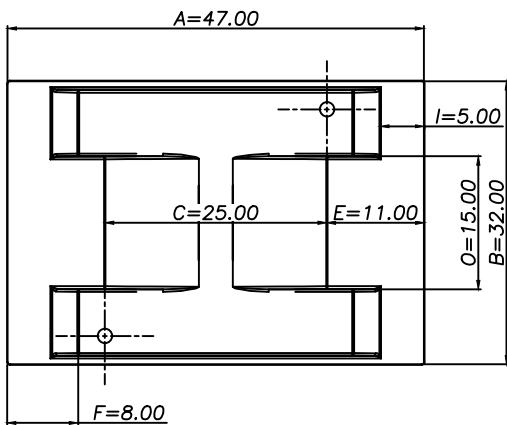
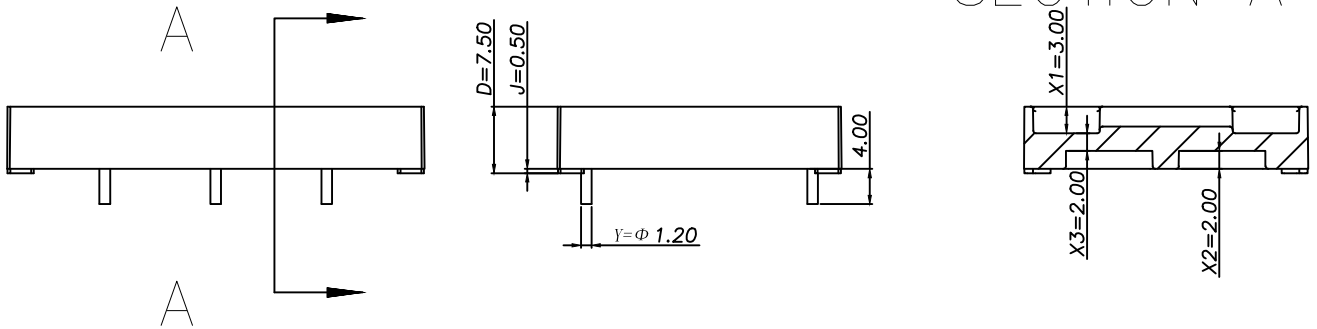



SECTION A-A



3.							
2.							
1.							
REVISION NOTE							
DRAWN	CHECKED	APPROVED	MATERIAL: PBT	UL REC.: UL94V-0	SCALE: 1/1	⊕ ⊞	
			X=PIN LENGHT	DATE: 2019.01.28	TOLERANCE: +/-0.2	UNIT: m/m	
 威海宁威塑胶制品有限公司 TEL:0631-5781578 FAX:0631-5780578				TITLE: 47*32*7.5		DWG NO QT-071012-021	