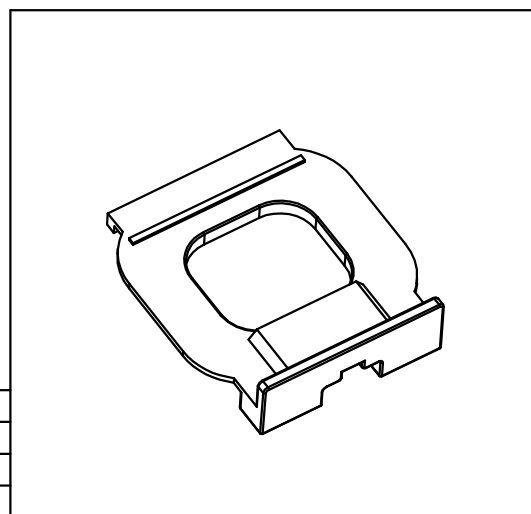


SECTION A-A



3.						
2.						
1.						

REVISION NOTE

DRAWN	CHECKED	APPROVED	MATERIAL: LCP	UL REC.: UL V-0	SCALE: 1/1	
			X=PIN LENGHT	DATE: 2017.03.17	TOLERANCE: +/-0.2	