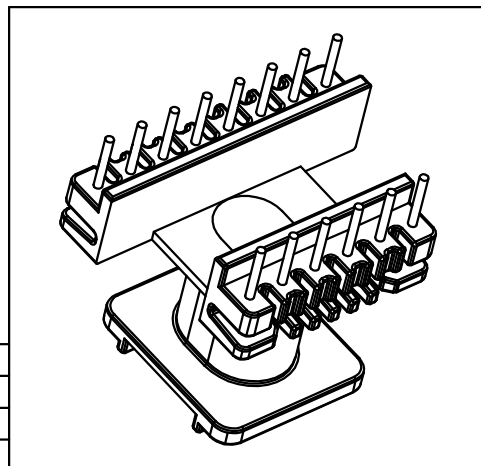
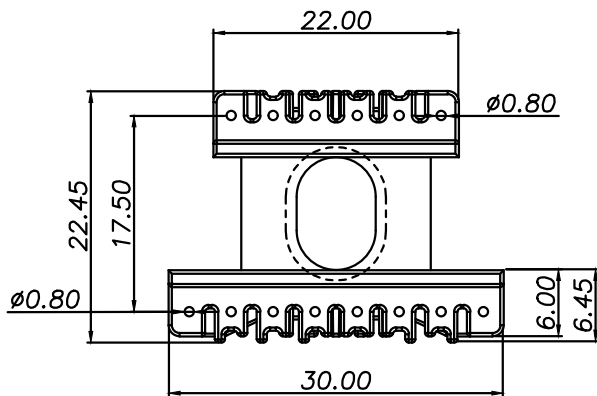
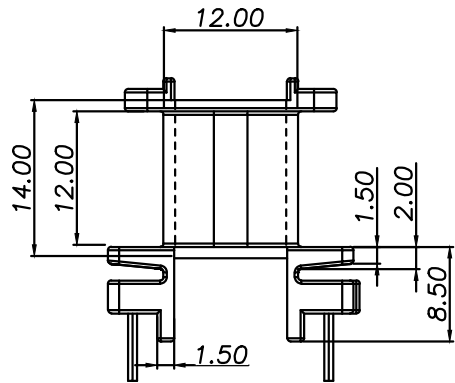
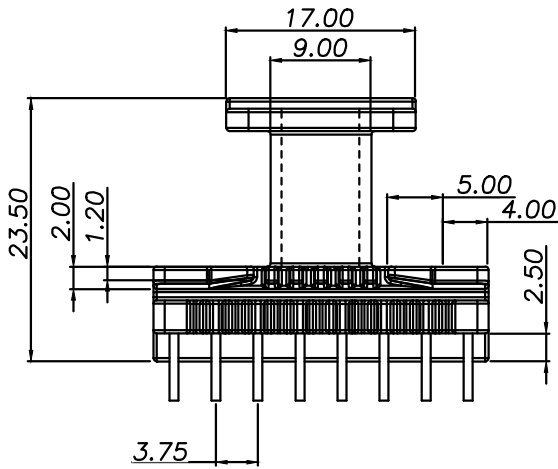
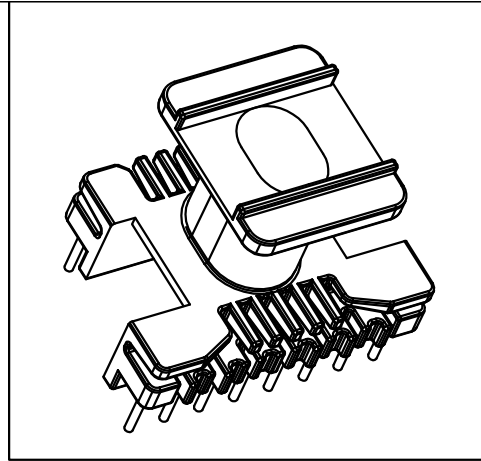
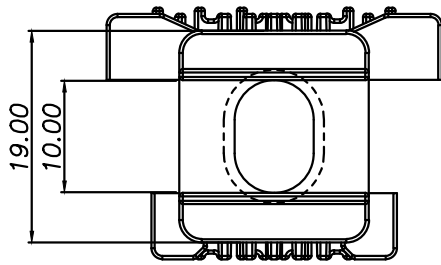


Autodesk



Autodesk

Autodesk

3.						
2.						
1.						
REVISION NOTE						

DRAWN	CHECKED	APPROVED	MATERIAL: PHENOL	UL REC. : UL94V-0	SCALE: 1/1	
			X=PIN LENGHT	DATE: 2017.09.18	TOLERANCE: +/-0.2	

	威海宁威塑胶制品有限公司			TITLE: EED24*20V 14P Autodesk	DWG NO
	TEL:0631-5781578	FAX:0631-5780578			EED-071012-010