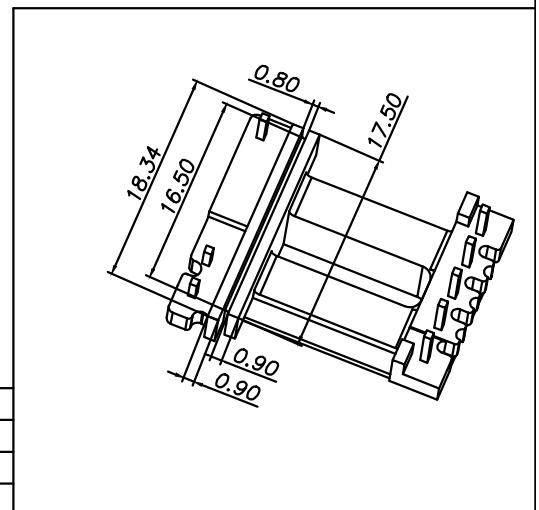
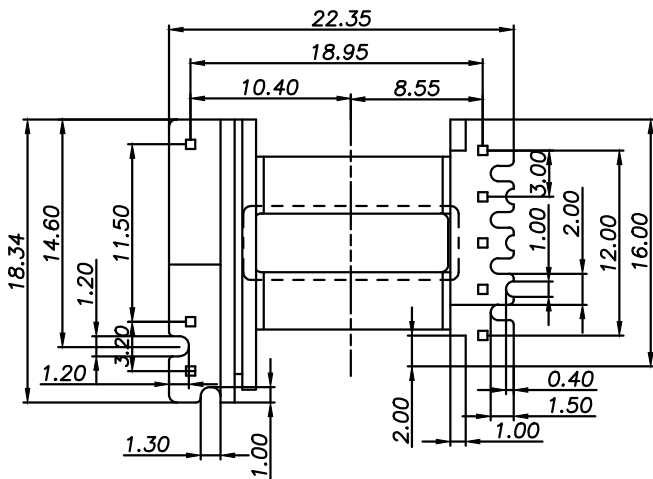
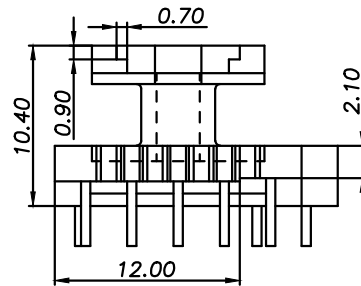
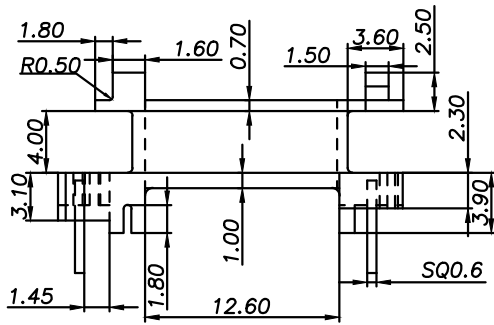


VIEW N-N



3.	
2.	
1.	

REVISION NOTE

DRAWN	CHECKED	APPROVED	MATERIAL: PHENOL	UL REC.: UL94V-0	SCALE: 1/1	
			X=PIN LENGHT	DATE: 2013.12.21	TOLERANCE: +/-0.2	