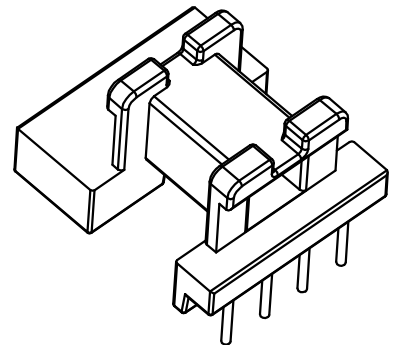
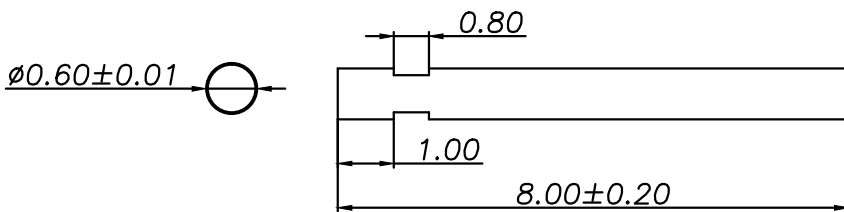


PIN:



3.	
2.	
1.	

REVISION NOTE

DRAWN	CHECKED	APPROVED	MATERIAL: PHENOL	UL REC. : UL94V-0	SCALE: 1/1	
			X=PIN LENGHT	DATE: 2008.09.26	TOLERANCE: +/-0.2	