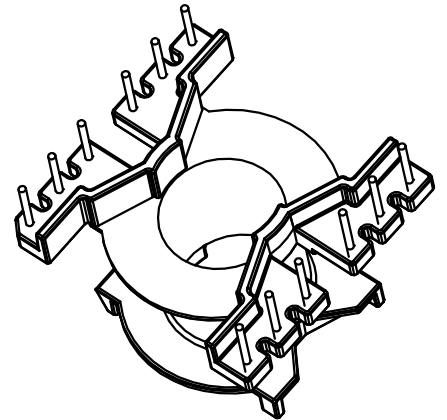
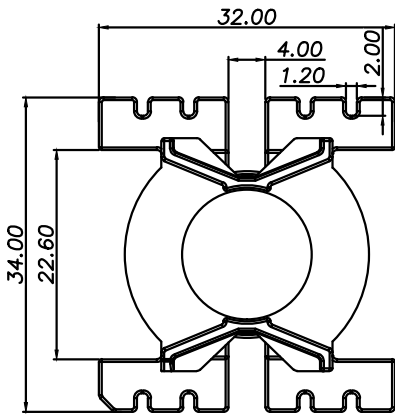
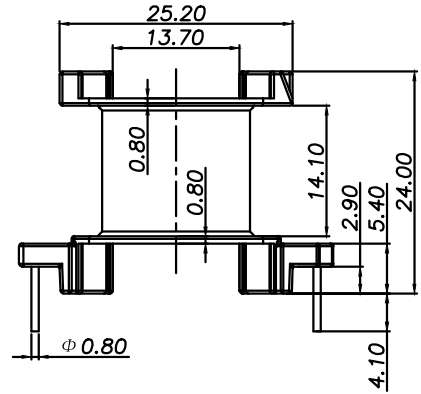
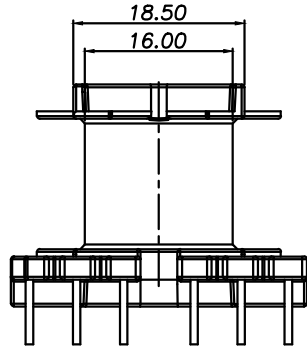
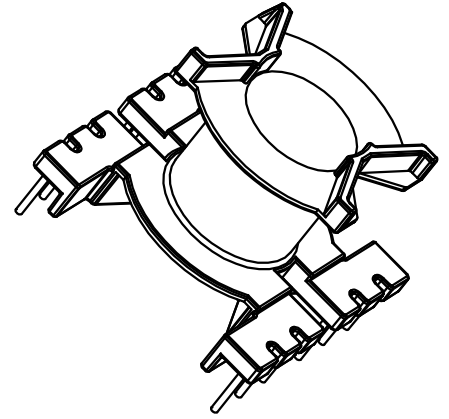
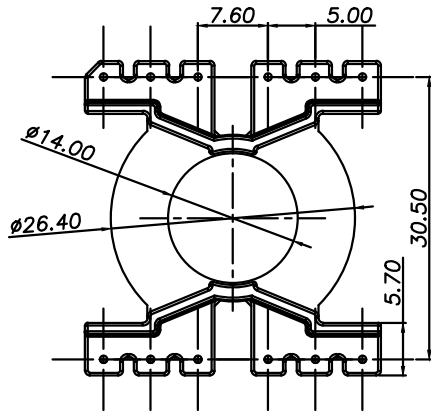


Autodesk



Autodesk

Autodesk

3.						
2.						
1.						

REVISION NOTE

DRAWN	CHECKED	APPROVED	MATERIAL: PHENOL	UL REC.: UL94V-0	SCALE: 1/1	
			X=PIN LENGHT	DATE: 2017.09.19	TOLERANCE: +/-0.2	



威海宁威塑胶制品有限公司
TEL:0631-5781578 FAX:0631-5780578

TITLE: PQ32*25V 12P
Autodesk

DWG NO
PQ-071012-009